

Data sheet

Fume hood Compact Line DCL-1500 SS



Standard equipment for fume hoods:

- structure entirely made of galvanized steel without the use of wood-based materials
- worktop at a height of 900mm made of monolithic ceramics with a raised rim with a suspended ceramic sink 280x80mm
- toughened glass window, lifted manually with counterweight, opened upwards with a lock at the height of 500 mm (max 810mm), and additionally sliding glass (right / left). The window has a system preventing the uncontrolled drop of the window
- 2 electric sockets 230V 50Hz
- 2 water spouts with valves on the BROEN front panel
- energy-saving linear LED lighting separated from the fume hood with a glass pane
- double system the back wall with exhaust slots in the upper and lower part ensuring proper extraction of vapors lighter or heavier than air without turbulence and dead zones
- safety flap in the ceiling ensuring decompression in the event of uncontrolled pressure increase in the working chamber
- full monitoring set (Schneider brand) air flow velocity in the fume cupboard window compliant with the PE-EN 14175 standard
- CE Declaration of Conformity: PN-EN 14175; PN-EN 14056; PN-EN 13150

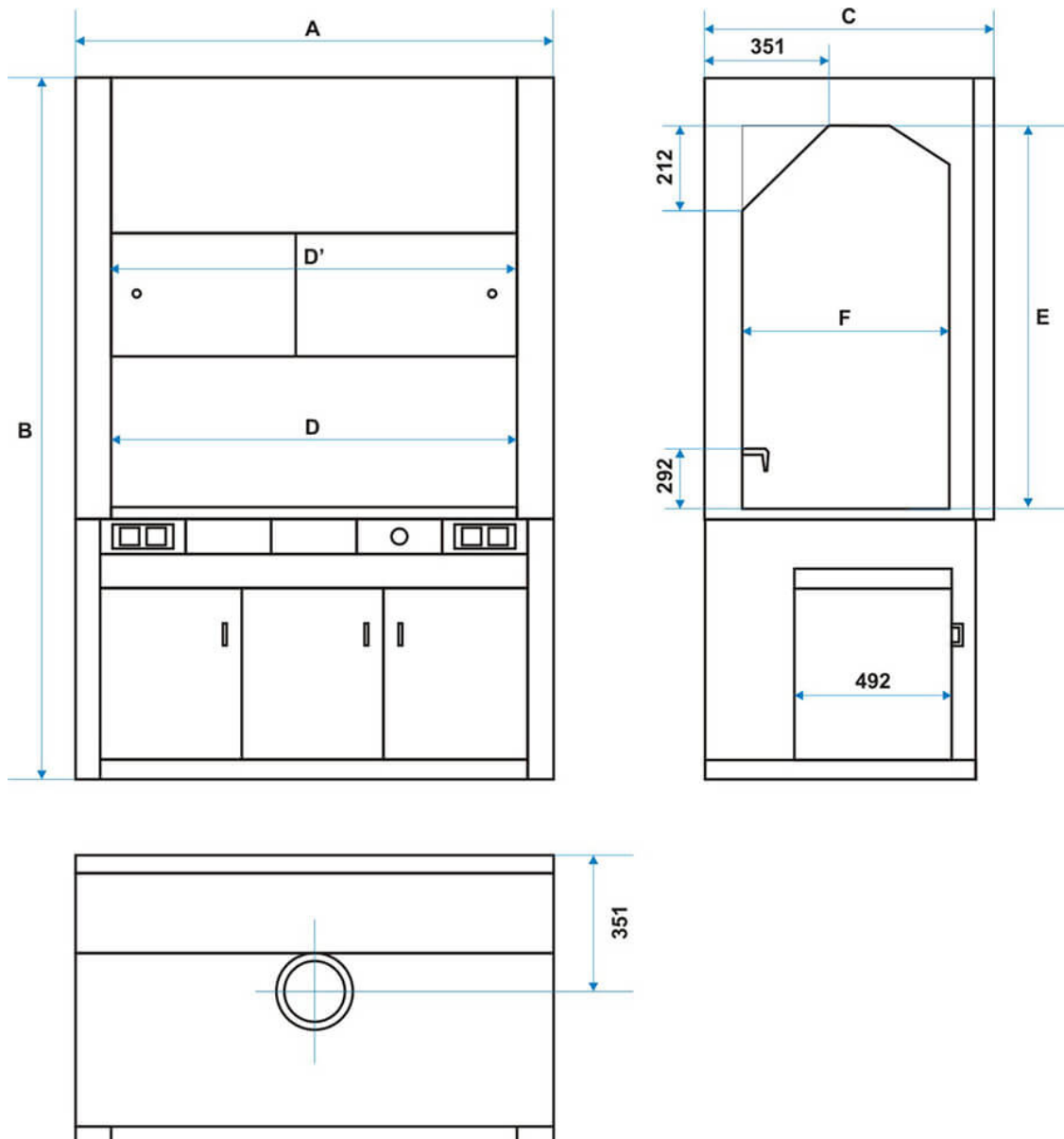
TECHNICAL DATA - DIMENSIONS

overall dims [mm]

| | |
|----------|-----------|
| width A | 1580 |
| height B | 2325-2600 |
| depth C | 960 |

working space dims (mm)

| | |
|-----------------|------|
| width D | 1450 |
| window width D1 | 1265 |
| height E | 1220 |
| depth F | 635 |



TECHNICAL DATA

| | |
|--|--|
| recommended airflow [m ³ /h] | 750 - 1200 |
| required capacity of the ventilation system [m/s] | 0,3 - 0,5 |
| nominal power [W] | 82 |
| voltage** | 230 VAC 50Hz |
| diameter of the air outlet stub [mm] | Ø 200 |
| water supply | G 1/2 " male thread |
| sewage connection diameter [mm] | Ø 50 |
| electrical insulation | class I |
| standard ventilation system | double rear wall |
| illumination installed outside the working chamber | LED, class A ++, through insulating glass / from operator panel |
| monitoring set | <i>standard:</i> - FM 550-A-0-E controller with a speed sensor AFS 100 in the fume hood window and the FA-0025-3 operator panel <i>option:</i> - ICM 500-F-EU controller with flow control - ICM 500-FP-EU controller with flow control and cooperation with BMS - other Schneider controllers available on request |
| raising the window | <i>standard:</i> - manual with counterweight (lock at a height of 500mm, maximum opening 810mm) <i>option:</i> - SC 500 - Auto Protect system - with foot switch - SC 500 - Auto Protect system - with panel switch |
| frame and housing material | The frame is made entirely of galvanized steel. External housing made of galvanized and painted with epoxy paint steel |
| working chamber wall finishing | galvanized steel painted with epoxy paint |
| worktop | Monolithic ceramics with marine edge |
| worktop OPTION (available materials) | - Phenolic resin, epoxy - Stainless steel AISI 304, 316 |
| underbench cabinet OPTION (different types) | - metal, ventilated cabinet painted with epoxy paint - cabinet for acids and alkalis made of foamed PVC - explosion-proof cabinets Asecos 30 and 90 minutes |
| warranty | 24 months |
| manufacturer | POL-EKO-APARATURA |

Other optional equipment:

- main switch
- anti-shock switch
- safety switch
- 400VAC IP44 socket
- additional 230VAC IP44 sockets
- 230VAC sockets inside the working chamber IP44
- Manual Protect system - battery backup of the monitoring set
- power supply control of the socket with the option of timer setting
- additional gas taps
- metal cabinet key lock under the tabletop
- explosion-proof equipment EX
- side glazing
- truss made of acid-resistant steel, on the back wall of the manipulation chamber
- inspection openings
- flexible strip brush