

# SHAKING INCUBATOR™

## 2D&3D motion

### ■ BAE07-H300 / Variable plate for heating shaking Incubator

- Quick and easy control heating system

### ■ BAE07-C300 / Special movement shaking Incubator

- Effective ventilation system guarantees accurate temperature control

### ► Common facts

- Digital micro processor control [PID] for highest accuracy
- Chamber is separated to keep constant temperature.
- BAE MECHANISM (patented, 5step angle adjustment system) allows orbital motion and various twist movement
- Dual mat to accommodate each vessel
- LED display shows actual speed and time
- "Up and OVER" door
- safety features:
  - Flashing alarm lamp to warn over-temperature
  - Over-temperature cut-out with safety thermostat



- An examples to use
- Bacteria / Yeast culture



► BAE07-H300



► BAE07-C300

### Specification

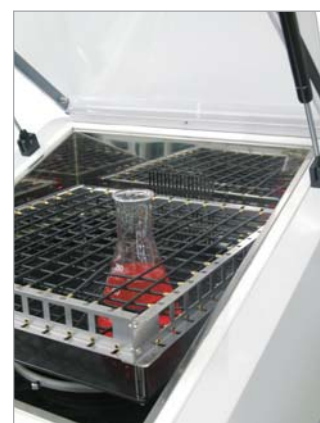
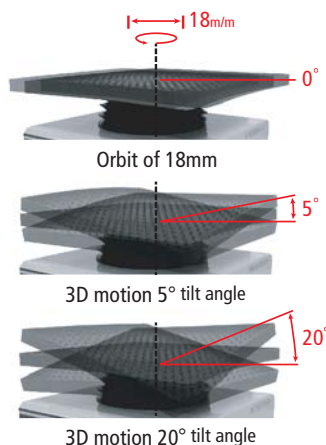
Model	BAE07-H300	BAE07-C300
Speed Range	30-300rpm	
Shaking Angle	orbital range-18mm	
	3D twist 5°	
	3D twist 10°	
	3D twist 15°	
	3D twist 20°	
Temp. Range	Ambient +5°C~80.0°C	15.0°C~65.0°C
Temp. Accuracy	±0.2°C	±0.4°C
Motor	BLDC Motor	
Timer (temp.)	99hour 59min	
Dimensions(mm)	W470xD630xH410	W470xD647xH410
Weight	34kg	37kg
Wattage	610W	810W
Power	AC 100-240V (*220-230V : CE cert)	
Frequency	50/60Hz	

### Shaking Capacities

Model Number	BAE07-H300	BAE07-C300
50ml Flask		13ea
100ml Flask		13ea
250ml Flask		8ea

### Accessories

Model Number	Description
FT302-50-13	Flask Table for 50ml flask - Capacity : 13ea
FT302-100-13	Flask Table for 100ml flask - Capacity : 13ea
FT302-250-8	Flask Table for 250ml flask - Capacity : 8ea
SR300	Flexible silicon wire rack (W300xD300mm)



※The rack available up to 250ml flasks.

### ACCESSORIES

